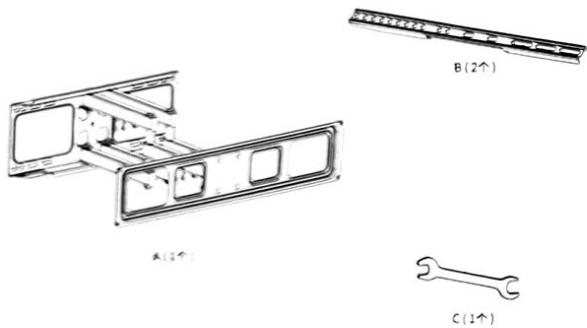


功能型电视挂架 安装说明

请在安装前检查一下零部件是否齐全完好。若有缺失或损坏，请联系我们。

安装组件及工具



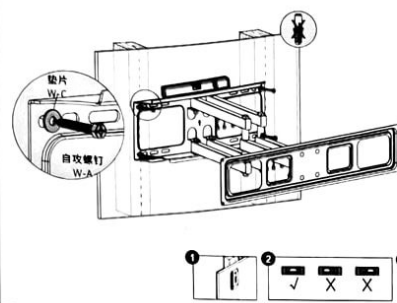
电视机的安装配件



墙板安装配件



1a 安装墙板



安装所需工具

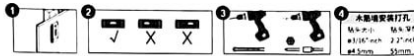


适用于木质墙板

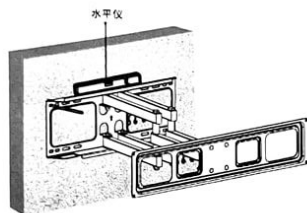
首先用水平仪检测确认墙板位置,如图示①,并用铅笔标记四个孔位。用自攻螺钉将墙板固定在木墙上。

注意:

- 1.安装前请将水平仪固定在墙板上,并确认气泡位于水平仪的中间位置,气泡位置请参考图示②。
- 2.在该步骤时请勿使用膨胀管。
- 3.使用冲击钻在墙面板孔和拧紧螺丝时,请根据图示③分别选择不同的钻头。
- 4.在墙面板孔时,请参见图示④,选择符合要求的钻头,并使钻孔深度达到规定标准。



1b 安装墙板



安装所需工具

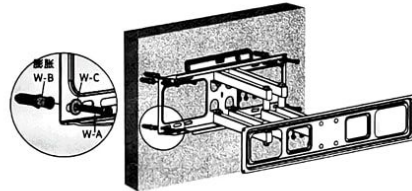


适用于水泥或混凝土墙板
首先用铅笔按照图示在墙上标记四个孔位。在标记处钻孔并用膨胀螺丝,自攻螺钉将墙板固定在墙面上。

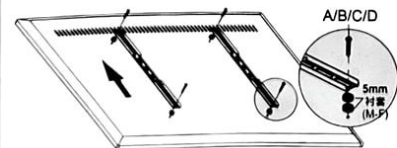
注意:

- 1.安装前请将水平仪固定在墙板上,并确认气泡位于水平仪的中间位置,气泡位置请参考图示②。
- 2.使用冲击钻在墙面板孔和拧紧螺丝时,请根据图示③分别选择不同的钻头。
- 3.在墙面板孔时,请参见图示④,选择符合要求的钻头,并使钻孔深度达到规定标准。

2 安装墙板



3 安装挂臂



安装所需工具



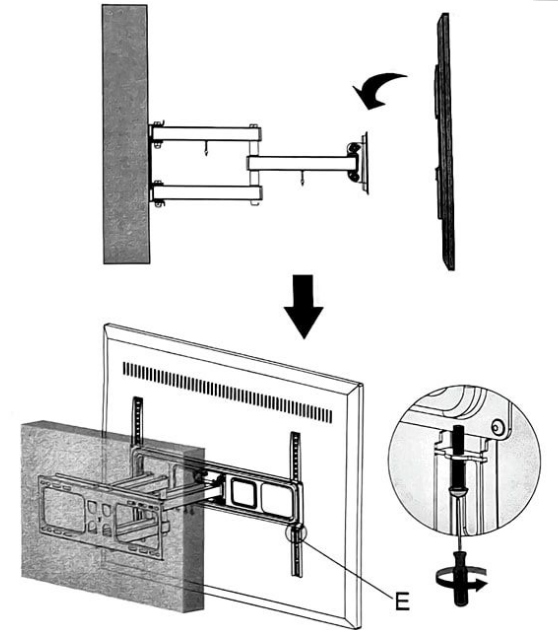
适用于背部为曲面或不规则平面的电视机
如图中所示,垫片与塑料衬套将电视机固定在支架挂臂上。

- 1.固定时可根据实际电视机后部的弧度选择安装塑料衬套的数量。
- 2.为保证安装效果,请参见图示①固定垫片,衬套与螺丝,安装时请确保其与电视机的安装位置保持水平。
- 3.请勿过紧拧紧螺钉,参见图示②。



4 安装电视机

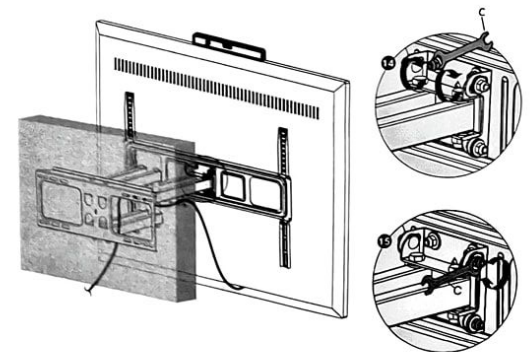
安装所需工具



将固定好挂臂的电视机挂到墙板组件上,并用螺丝从挂臂底部拧进膨胀管,防止电视机下坠。
注意: 为确保安全,请两人同时配合安装,参见图示②。



5 调节电视角度

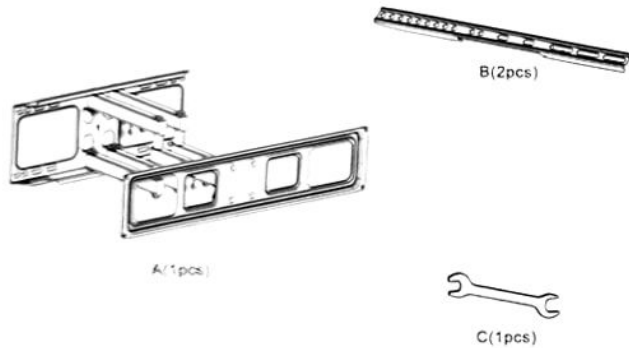


如图中①用水平尺将电视机调整为合适的水平角度后,用配件包内的扳手,拧紧内六角螺帽至电视水平无法转动。
如图中②找到合适的电视机倾斜角度,用配件包内的扳手,拧紧内六角螺帽。使电视机上下无法晃动。

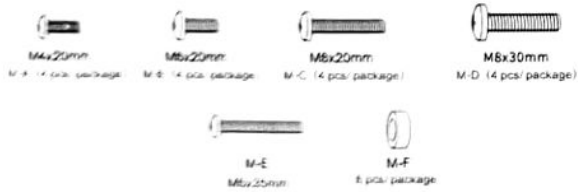
Installation instructions for functional TV rack

Please check whether the parts are complete and intact before installation. If they are missing or damaged, please contact us.

Support components and tools



Specification of screws for TV installation accessories: in diameter X T length (mm)



Wallboard installation accessories



1A installation of wall panels

Tools required for installation

It is applicable to wood reinforcement wallboard. Firstly, use wood reinforcement detector to confirm the position of wood reinforcement, as shown in figure (1). Mark the four hole positions with a pencil. Fix the wall panel on the wood reinforcement with self tapping screws. Note 1: Before installation, please fix the level above the wall panel and confirm that the bubble is in the middle of the level. For the bubble position, please refer to figure (2). Do not use the expansion tube during this procedure. 3: when using impact drill to drill holes in the wall, please select different drill bits according to figure (3). 4: When drilling on the wall, please refer to the figure (4). Select the required drill bit and make the drilling depth reach the specified standard.

1. 2. 3. 4.

Installation and drilling of wood reinforcement wall:
 Bit size: 3.2" inch
 Bit depth: 45.0mm 30mm

1B installation of wall panels

Tools required for installation

It is applicable to cement or concrete wallboard. First, mark four hole positions on the wall with a pencil according to the figure. Drill holes at the marks and fix the wallboard on the wall with expansion screws and self tapping screws.

Note:
 1. Before installation, please fix the level above the wall panel and confirm that the bubble is in the middle of the level. For the bubble position, please refer to figure (2).
 2. When using impact drill to drill holes and tighten screws on the wall, please select different drill bits according to (3) in the figure.
 3. when drilling on the wall, please refer to the figure (4) select the drill bit that meets the requirements and make the drilling depth reach the specified standard.

2 installation of wall panels

Tools required for installation

1. 2. 3. 4.

Installation and drilling of solid cement wall:
 Bit size: 2.4" inch
 Bit depth: 40mm 60mm

3 install the hanging arm

Tools required for installation

A/B/C/D

It is suitable for TV sets with curved surface or irregular plane at the rear. As shown in the figure, the TV set is fixed on the bracket hanging arm with screws, gaskets and plastic bushings.

Note:
 1. When fixing, the number of plastic bushings can be selected according to the radius at the rear of the actual TV.
 2. To ensure the installation effect, please refer to the figure (10) when installing the fixed gasket bushing and screw, keep the gasket level with the TV installation plane.
 3. Do not overtighten or loosen the screws, as shown in figure (11)

4. install TV

Tools required for installation

Hang the TV set with the fixed hanging arm on the wallboard assembly, and screw it in from the bottom of the hanging arm to lock and fix it to prevent the TV from falling.

Note: To ensure safety, two people are required to install at the same time, as shown in the figure (12)

5 adjust TV angle

As shown in figure (14), adjust the TV set to an appropriate horizontal angle with level ruler, and then tighten the hexagon socket nut with the wrench in the accessories package until the TV is horizontal and cannot be shaken. Find the proper tilt angle of the TV as shown in figure (15) and tighten the hexagon socket nut with the wrench in the accessory package. Keep the TV from shaking up and down.